

## R3-22 Multi Point Actuator

Pull-to-open paddle handle

### Features

- Single or multi-point actuation capability
- Compatible with a wide range of rotary latches
- Environmentally sealed

### Material

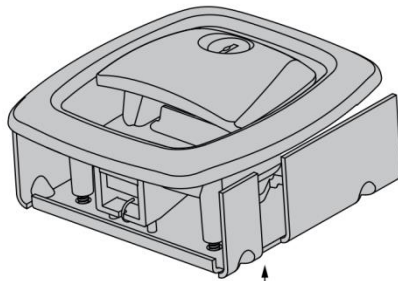
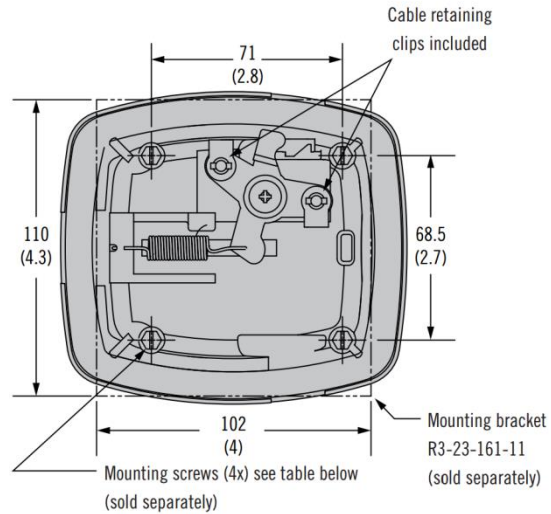
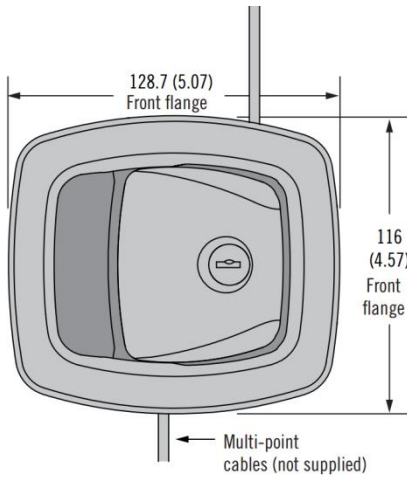
- Latch assembly: Zinc alloy, black or white powder coated or chrome plated.
- Mounting bracket: Steel, zinc plated

### Installation Notes

- Maximum tightening torque on supplied mounting nuts: 2 N.m

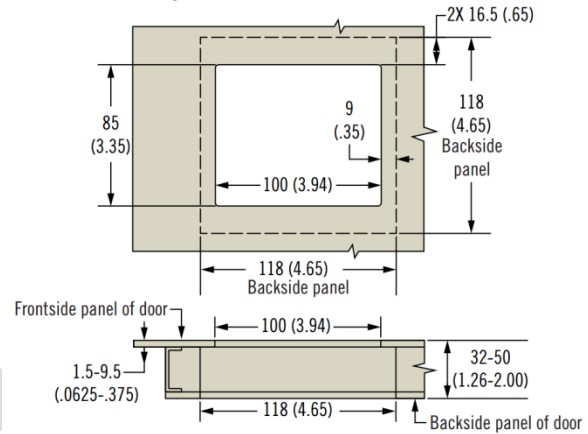
### Installation Notes

- For lock core selection, contact Gripwell for assistance
- Can be configured with 1 or 2 cables, recommended cable - "Type 7", contact Gripwell for assistance
- Cable mounting bracket (R3-23-161-11) sold separately



Mounting bracket (sold separately)

### Panel Preparation



**R3 - 22 - 3 L 0 - F 0**

### L Locking Options

- 0 Non-locking
- 1 Reversible Key (No keys - R001)
- 2 Reversible Key (2 keys included - R001)
- 4 Standard Key (No keys - CH751)
- 5 Standard Key (2 Keys included - CH751)
- 9 No lock plug installed (see notes for more information)

### F Finish

- 1 Polished chrome
- 5 Black powder coated
- 7 White powder coated

### Screws for Mounting Bracket Part Number R3-23-161-11

Front Door Thickness	No. 8 Self Tapping Screw (order 4 per latch)
1.5 (.062) - 4.8 (.187)	R3-23-250-01
4.8 (.187) - 9.5 (.375)	R3-23-250-02